

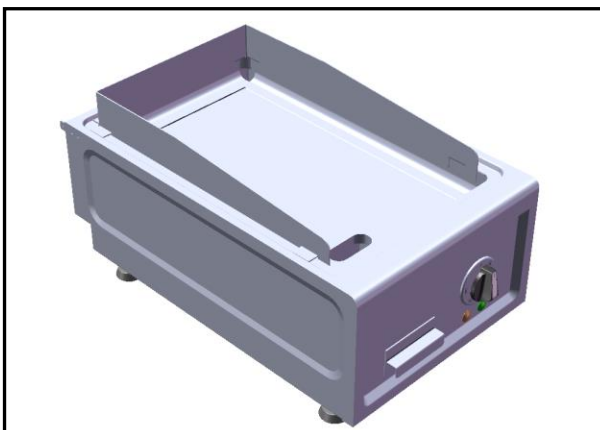


Total Food-Service Solutions

Modular Cooking - Amicus 600

Electric Fry Top

NEFT 4-60 AM



*Due to routine technical improvement, the photograph shown may not represent the latest design of the products.

AVAILABLE MODEL

1. NEFT 4-60 AM

DESCRIPTION

Electric Fry Top consists 3.9kW heating element, cooking temperature can be adjusted up to 300°C.

Unit to be installed as a table top, on open cabinet or similar elements, cantilever, or cooking suite block configuration. Featuring rear seamless fitting to connect with other Amicus family.

ITEM# : _____

MODEL# : _____

NAME : _____

SN : _____

MAIN FEATURE

- 3.9 kW powered by SSS (Steady State Surface) heating system.
- 16 mm SS 420 griddle (Knife Steel).
- Option of grooved griddle.
- Option of mirror finish for cooking fish.
- Fully welded griddle plate for maximum hygiene.
- Griddle temperature is thermostat controlled from 50°C - 300°C.
- Drain and oil-collecting drawer provided.
- IPX4 water protection.

CONSTRUCTION

- All exterior panels in 304 type of Stainless Steel
- Orbital top surface anti-scratch finishing.
- Top with 1.2 mm surface.
- Side with 1.2mm pressed surface.
- Front with 0.8 mm pressed surface.
- Adjustable ±30 mm leg.

INCLUDED ACCESSORIES

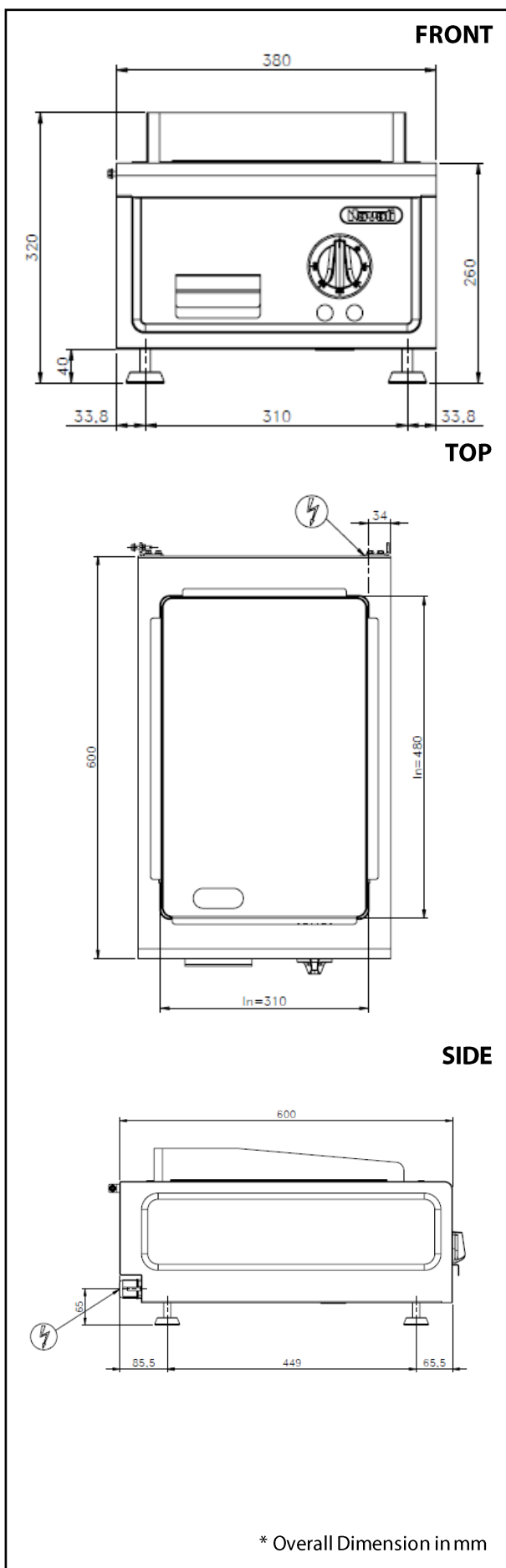
- Splash guard
- Clip Plate for Joining
- Power cable

OPTIONAL ACCESSORIES

- N/A

The company reserves the right to make modifications to the products without prior notice. All information correct at time of printing. 2019.08.26





ELECTRIC

Electrical rating (kW)	:	3.9
Element rating (kW)	:	3.9
Electrical supply voltage	:	230V 1N
Required electrical supply (amps):		18
Power cable	:	
~ Cable type	:	H07RN-F
~ Cable dimension	:	3x 2.5 mm ²
Electrical current split (amps)	:	L1: 18

KEY INFORMATION

Unit dimension (WxDxH)	:	380x600x260/312 mm
Cooking surface (WxD)	:	310x480 mm
Direct heat emission	:	1.3 kW
Latent heat emission	:	1.6 kW
Steam emission	:	2.3 kg / h
Working temperature	:	50°C-300°C
Net weight	:	33kg

PACKING DETAILS

Shipping width	:	470 mm
Shipping depth	:	710 mm
Shipping height	:	480 mm
Shipping volume	:	0.16 m ³
Gross weight	:	37 kg